

Tension Load Cells

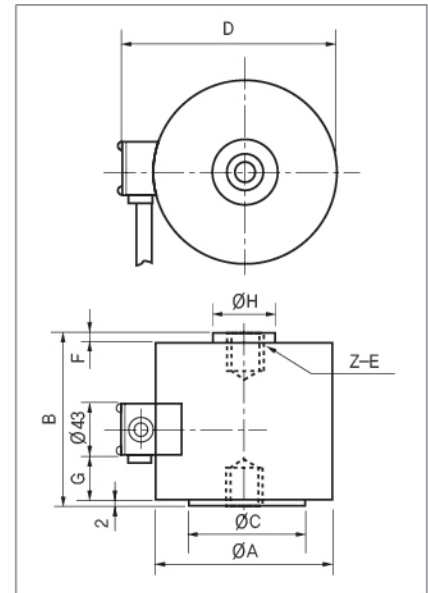
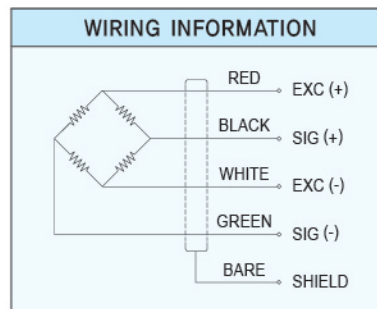
> Model TX

High Accuracy Tension Service, Hopper, Tank Weighing.

Protection Class IP67

TX, TX61 : Painted finished steel,

TXH : Nikel planted steel



> SPECIFICATIONS

Specifications	Accuracy	
	TXH	TX
Rated capacity(R.C)	1tf, 2tf, 5tf, 10tf, 20tf	100kgf, 200kgf, 500kgf, 1tf, 2tf, 3tf, 5tf, 10tf, 20tf, 50tf, 100tf
Rated output(R.O)	2.0mV/V±0.1%	2.0mV/V±0.1% (50tf~100tf 1.5mV/V)
Nonlinearity	0.02% of R.O.	≤ 0.1% of R.O.
Hysteresis	0.02% of R.O.	≤ 0.1% of R.O.
Repeatability	0.02% of R.O.	≤ 0.1% of R.O.
Zero balance	±1% of R.O.	±1% of R.O.
Temperature effect on rated output	0.03% LOAD/10°C	0.1% LOAD/10°C
Temperature effect on zero balance	0.03% R.O./10°C	0.1% R.O./10°C
Temperature range, compensated	-10°C to 60°C	-10°C to 60°C
Temperature range, safe	-20°C to 80°C	-20°C to 80°C
Terminal resistance, input	350Ω ±5Ω	350Ω ±5Ω
Terminal resistance, output	350Ω ±5Ω	350Ω ±5Ω
Insulation resistance bridge/case	5000MΩ	5000MΩ
Excitation recommended	10V	10V
Safe overload	150% R.C.	150% R.C.
Cable length	Ø7mm, 4 Core, 3m	Ø7mm, 4 Core, 3m

> DIMENSIONS TABLE

unit:mm

Model	Capacity	ØA	B	ØC	D	E	F	G	ØH	Weight(kg)
TXH, TX	TX-100kgf (980.7N)	88	107	50	118	M12×1.25 DP15	4	25	24	3
	TX-200kgf (1.961kN)	88	107	50	118	M12×1.25 DP15	4	25	24	
	TX-500kgf (4.903kN)	88	107	50	118	M12×1.25 DP15	4	25	24	
	TX-1tf (9.807kN)	88	107	50	118	M12×1.25 DP15	4	25	24	
	TX-2tf (19.61kN)	88	150	66	118	M24×2 DP30	5	42	30	5
	TX-3tf (29.42kN)	88	150	66	118	M24×2 DP30	5	42	30	
	TX-5tf (49.03kN)	88	150	66	118	M24×2 DP30	5	42	30	
	TX-10tf (98.07kN)	137	220	66	167	M39×2 DP50	8	65	62	
	TX-20tf (196.1kN)	137	240	66	167	M50×2 DP65	8	75	62	11
	TX-50tf (490.3kN)	213	410	130	245	M76×3 DP115	25	140	116	
TX-100tf (980.7kN)	267	500	192	315	M100×3 DP150	25	250	196		

★ Specifications are subject to change without notice.