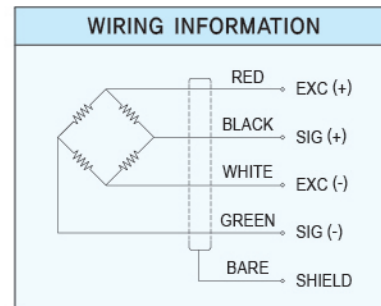
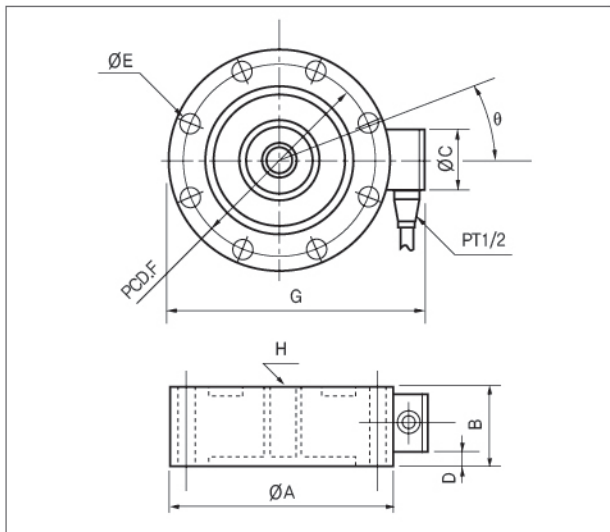
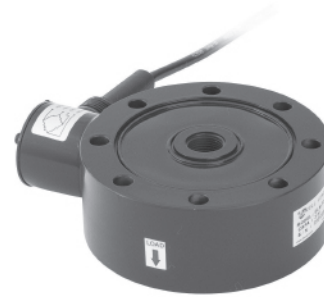
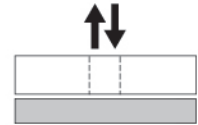


Low Profile Tension or Compression Load Cells

> Model UL

Applicable for both compression and tension methods,
Being tough against twisting momentum, most suitable
for load fatigue testing repeat test of load etc.
UL : Painted finished steel, Protection Class IP67,
ULH : Nikel planted steel



>SPECIFICATIONS

Specifications	Accuracy	
	UL	ULH
Rated capacity(R.C)	500kgf, 1tf, 2tf, 5tf, 10tf, 20tf, 30tf, 50tf, 100tf, 200tf, 300tf, 500tf	500kgf, 1tf, 2tf, 5tf, 10tf, 20tf, 50tf
Rated output(R.O)	2mV/V±0.1%	2mV/V±0.1%
Nonlinearity	0.05% of R.O.(100tf~500tf : 0.5%)	0.02% of R.O.
Hysteresis	0.05% of R.O.(100tf~500tf : 0.5%)	0.02% of R.O.
Repeatability	0.05% of R.O.(100tf~500tf : 0.5%)	0.02% of R.O.
Zero balance	±2% of R.O.	±2% of R.O.
Temperature effect on rated output	0.05% LOAD/10°C	0.03% LOAD/10°C
Temperature effect on zero balance	0.05% R.O./10°C	0.03% R.O./10°C
Temperature range, compensated	-10°C to 60°C	-10°C to 60°C
Temperature range, safe	-20°C to 80°C	-20°C to 80°C
Terminal resistance, input	700Ω ±50Ω	700Ω ±50Ω
Terminal resistance, output	700Ω ±3Ω	700Ω ±3Ω
Insulation resistance bridge/case	2000MΩ	2000MΩ
Excitation recommended	10V	10V
Safe overload	150% R.C.	150% R.C.
Cable length	Ø7mm, 4 Core, 3m	Ø7mm, 4 Core, 3m

>DIMENSIONS TABLE

unit:mm

Model	Capacity	ØA	B	ØC	D	E	F	G	H	Weight(kg)
UL ULH	UL-500kgf (4.903kN)	88	25	22	1.5	6-Ø6.5 hole	75	108	M12×1.25	1
	UL-1tf (9.807kN)	118	46	43	1.5	8-Ø9 hole	100	153	M18×1.5	3
	UL-2tf (19.61kN)	118	46	43	1.5	8-Ø9 hole	100	153	M18×1.5	
	UL-5tf (49.03kN)	118	46	43	1.5	8-Ø9 hole	100	153	M18×1.5	
	UL-10tf (98.07kN)	178	65	43	11	8-Ø13 hole	155	215	M24×2	9
	UL-20tf (196.1kN)	178	65	43	11	8-Ø13 hole	155	215	M39×2	
	UL-50tf (490.3kN)	226	100	43	28.5	12-Ø18 hole	190	266	M50×2	23
	UL-100tf (980.7kN)	310	130	43	43.5	16-Ø22 hole	260	350	M76×3	60
	UL-200tf (1.961MN)	380	170	43	63	16-Ø38 hole	315	420	M100×3	90
	UL-300tf (2.942MN)	450	200	50	75	16-Ø45 hole	365	490	M140×3	180
UL-500tf (4.903MN)	496	300	70	115	16-Ø52 hole	420	536	M180×3	245	

★Specifications are subject to change without notice.