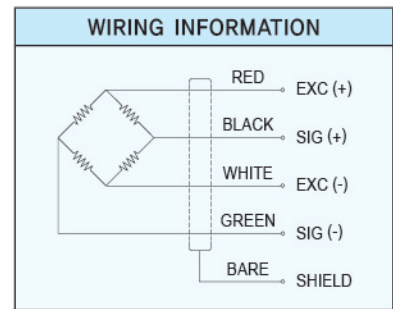
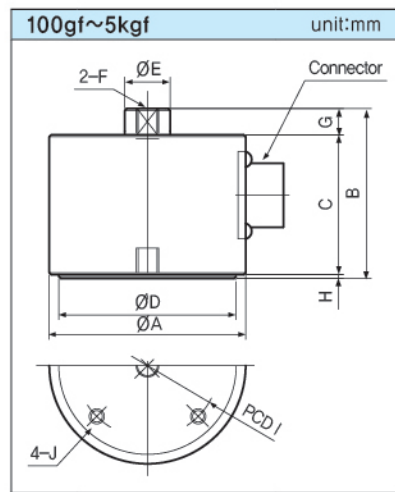
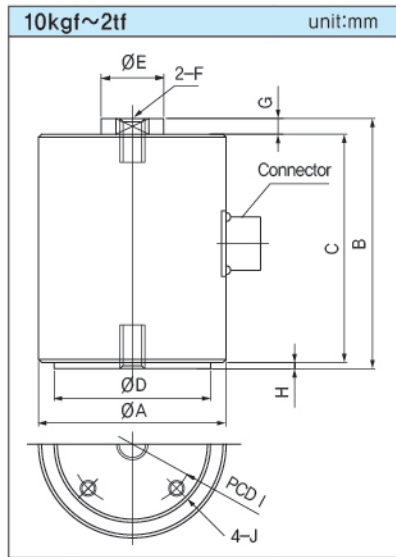
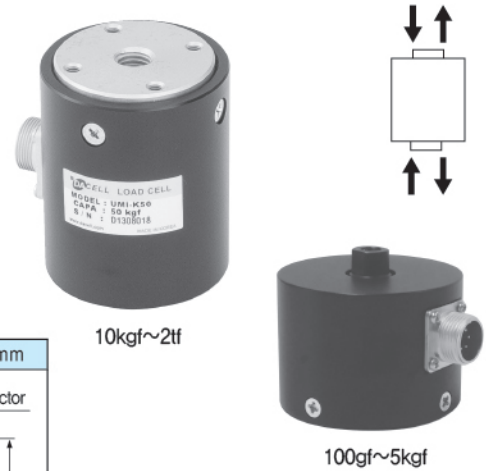


Miniature Compression & Tension Load Cell

> Model UMI

Model UMI load cells measure both tension & compression load force of 100gf to 2tf. High accuracy, high output Voltage and tight tolerance provides excellent reliability. Applications include performance testers for automotive industry.



> SPECIFICATIONS

Specifications	Accuracy
Rated capacity(R.C)	100gf, 200gf, 500gf, 1kgf, 2kgf, 5kgf, 10kgf, 20kgf, 50kgf, 100kgf, 200kgf, 500kgf, 1tf, 2tf
Rated output(R.O)	2mV/V \pm 1% (100gf~5kgf=1mV/V)
Nonlinearity	0.03% of R.O.
Hysteresis	0.03% of R.O.
Repeatability	0.03% of R.O.
Zero balance	\pm 2% of R.O.
Temperature effect on rated output	0.1% of LOAD/10°C
Temperature effect on zero balance	0.05% of R.O./10°C
Temperature range, compensated	-10°C to 50°C
Temperature range, safe	-20°C to 80°C
Terminal resistance	350 Ω \pm 1%
Insulation resistance bridge	2000M Ω
Excitation recommended	10V (100gf~5kgf=5V)
Safe overload	120% R.C.
Cable length	\varnothing 5 \pm 0.5mm 4core, 3m

> DIMENSIONS TABLE

Capacity	ØA	B	C	ØD	ØE	F	G	H	I	J	Weight(kg)
100gf (0.980N)	52	45	37	47	10.5	M4X0.7DP8	7	1	38	4-M4 DP6	0.5
200gf (1.961N)	52	45	37	47	10.5	M4X0.7DP8	7	1	38	4-M4 DP6	
500gf (4.903N)	52	45	37	47	10.5	M4X0.7DP8	7	1	38	4-M4 DP6	
1kgf (9.807N)	52	45	37	47	12	M6X1.0DP8	7	1	38	4-M4 DP6	
2kgf (19.61N)	52	45	37	47	12	M6X1.0DP8	7	1	38	4-M4 DP6	
5kgf (49.03N)	52	45	37	47	12	M6X1.0DP8	7	1	38	4-M4 DP6	1
10kgf (98.07N)	60	80	73	50	20	M12X1.75DP15	5	2	40	4-M5 DP10	
20kgf (196.1N)	60	80	73	50	20	M12X1.75DP15	5	2	40	4-M5 DP10	
50kgf (490.3N)	60	80	73	50	20	M12X1.75DP15	5	2	40	4-M5 DP10	
100kgf (980.7N)	60	80	73	50	20	M12X1.75DP15	5	2	40	4-M5 DP10	
200kgf (1.961kN)	60	80	73	50	20	M12X1.75DP15	5	2	40	4-M5 DP10	
500kgf (4.903kN)	60	80	73	50	20	M12X1.75DP15	5	2	40	4-M5 DP10	
1tf (9.807kN)	60	80	73	50	20	M12X1.75DP15	5	2	40	4-M5 DP10	2
2tf (19.61kN)	88	110	102	80	36	M18X1.5DP22	5	3	55	4-M6 DP12	

★ Specifications are subject to change without notice.