



This is I.T. Co., Ltd.

1878 Moo 1 Soi Bearing 44 Sukhumvit 107 Rd.

T.Samrongnua A.Muang Samutprakarn Thailand 10270

Hot Line: 091-095-8123 Site: www.thisisit.co.th E-mail: sales@thisisit.co.th

WBS – HIGH ACCURACY and SMALL LOAD CELL

Features

- High accuracy. High output. Low cost.
- Small size and light weight. Simple installation.
- Supplied with an inspection data sheet to both tension and compression directions.
- Applications: For industrial scales, testing machines, and industrial machines...
- Accuracy Class: 0.05%



Specifications

Safe Overload	150%RC
Rated Output	3mV/V±1%
Nonlinearity	0.05% RO
Hysteresis	0.05% RO
Repeatability	0.03% RO
Excitation Voltage	12V (or less)
Safe Excitation Voltage	20V
Input Resistance	350Ω
Output Resistance	350Ω
Compensated Temp.Range	-10 to 60°C
Safe Temp.Range	-30 to 80°C
Temp.Effect on Zero	0.005%RO/°C
Temp.Effect on Output	0.005%/°C
Connector (on body)	Φ6mm-4wire shielded cable, length: 3m



Micro Sensor Technology

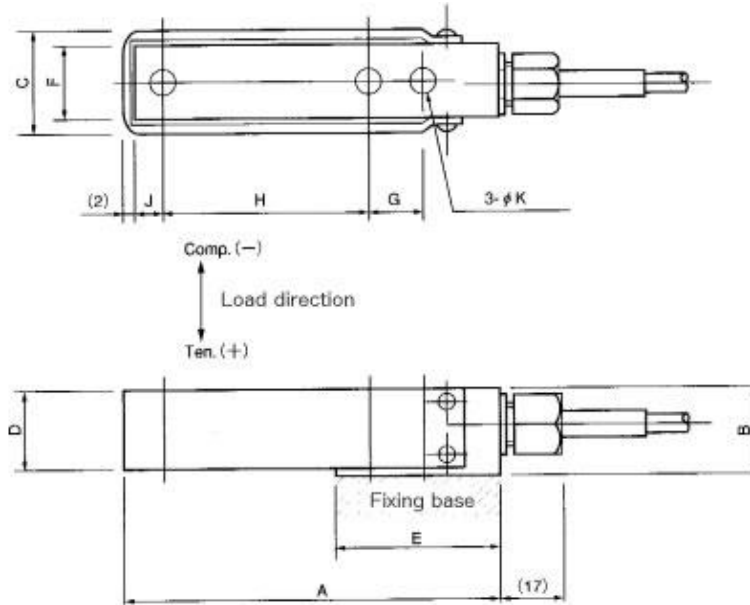
SHOWA MEASURING INSTRUMENTS INC.

Tokyo Japan



This is I.T. Co., Ltd.
 1878 Moo 1 Soi Bearing 44 Sukhumvit 107 Rd.
 T.Samrongnua A.Muang Samutprakarn Thailand 10270
 Hot Line: 091-095-8123 Site: www.thisisit.co.th E-mail: sales@thisisit.co.th

Appearance Dimensions



Model and Capacity / Dimension / etc. (unit : mm)

Model	Capacity	A	B	C	D	E	F	G	H	J	K	Natural frequency	Weight
WBS-50N	50N	107	25	29	23	48	25	15	60	8	6.5	0.30kHz	300g
WBS-100N	100N	107	25	29	23	48	25	15	60	8	6.5	0.46kHz	300g
WBS-200N	200N	107	25	29	23	48	25	15	60	8	6.5	0.70kHz	300g
WBS-500N	500N	107	25	29	23	48	25	15	60	8	6.5	2.2kHz	300g
WBS-1kN	1kN	107	25	29	23	48	25	15	60	8	6.5	3.4kHz	300g
WBS-2kN	2kN	167	35	39	33	82	35	45	83	15	13	4.6kHz	700g



Micro Sensor Technology

SHOWA MEASURING INSTRUMENTS INC.

Tokyo Japan