



This is I.T. Co., Ltd.

1878 Moo 1 Soi Bearing 44 Sukhumvit 107 Rd.

T.Samrongnua A.Muang Samutprakarn Thailand 10270

Hot Line: 091-095-8123 Site: www.thisisit.co.th E-mail: sales@thisisit.co.th

WBU – HIGH ACCURACY BEAM TYPE AND METAL BELLOWS LOAD CELL

Features

- High accuracy. For versatile applications.
- Filled with inactive gases.
- Combined with metallic bellows that are excellent in environmental characteristics.
- Covering a low capacity range (10N to 2kN).
- Supplied with an inspection data sheet to both tension and compression directions.
- Accuracy Class: 0.015%.



Specifications

Safe Overload	150%RC
Rated Output	2mV/V±1%
Nonlinearity	0.015% RO
Hysteresis	0.015% RO
Repeatability	0.01% RO
Excitation Voltage	12V (or less)
Safe Excitation Voltage	20V
Input Resistance	350Ω
Output Resistance	350Ω
Compensated Temp.Range	-10 to 60°C
Safe Temp.Range	-30 to 80°C
Temp.Effect on Zero	0.002%RO/°C
Temp.Effect on Output	0.0015%/°C
Connector (on body)	Φ6mm-4wire shielded cable, length: 5m



Micro Sensor Technology

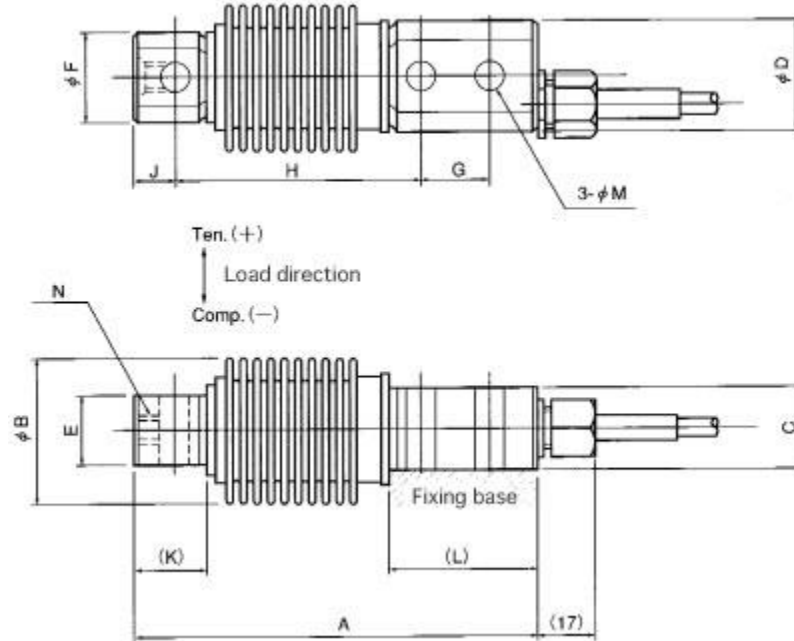
SHOWA MEASURING INSTRUMENTS INC.

Tokyo Japan



This is I.T. Co., Ltd.
 1878 Moo 1 Soi Bearing 44 Sukhumvit 107 Rd.
 T.Samrongnua A.Muang Samutprakarn Thailand 10270
 Hot Line: 091-095-8123 Site: www.thisisit.co.th E-mail: sales@thisisit.co.th

Appearance Dimensions



Model and Capacity / Dimension / etc. (unit : mm)

Model	Capacity	A	B	C	D	E	F	G	H	J	K	L	M	N
WBU-10N	10N	118	43	24	32	20	27	20	72	12	22	44	8.5	M8
WBU-20N	20N	118	43	24	32	20	27	20	72	12	22	44	8.5	M8
WBU-50N	50N	118	43	24	32	20	27	20	72	12	22	44	8.5	M8
WBU-100N	100N	118	43	24	32	20	27	20	72	12	22	44	8.5	M8
WBU-200N	200N	118	43	24	32	20	27	20	72	12	22	44	8.5	M8
WBU-500N	500N	118	43	24	32	20	27	20	72	12	22	44	8.5	M8
WBU-1kN	1kN	118	43	24	32	20	27	20	72	12	22	44	8.5	M8
WBU-2kN	2kN	155	53	28	42.5	25	36	30	90	17.5	32.5	62.5	13	M10



Micro Sensor Technology

SHOWA MEASURING INSTRUMENTS INC.

Tokyo Japan