



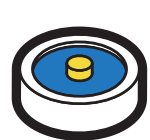
## FEATURES

- Draws 3X less power than standard load cells
- Ultra fast response and low deflection
- Fully welded construction
- Internally thermal compensated
- Highly flexible cable
- Low profile 3.91 mm H
- Tight height tolerance in support of multi-sensor platform applications

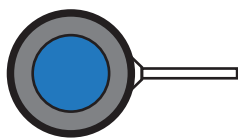
 Non-loading surface, do not contact

 Active End

 Fixed End



Top view



Bottom view



+ Output (compression)

## SPECIFICATIONS

### PERFORMANCE

Nonlinearity  $\pm 0.5\%$  of RO

Hysteresis  $\pm 0.5\%$  of RO

Nonrepeatability  $\pm 0.1\%$  of RO

### ELECTRICAL

Rated Output (RO) 2 mV/V nom

Excitation (VDC or VAC) 7 max

Bridge Resistance 1000 Ohm nom

Insulation Resistance 2500 Mohm to 1k Ohm

Connection #34 awg 4 conductor braided shielded cable, 5 ft [1.5 m] long

Wiring/Connector Code WC1s

### MECHANICAL

Weight (approximate) 0.32 oz [9 g]

Safe Overload 150% of RO

Deflection 0.0005 in [0.013 mm] nom

Material 17-4 PH stainless-steel

IP Rating IP64

### TEMPERATURE

Operating Temperature  $-60$  to  $200^{\circ}\text{F}$  ( $-51$  to  $93^{\circ}\text{C}$ )

Compensated Temperature  $60$  to  $160^{\circ}\text{F}$  ( $16$  to  $71^{\circ}\text{C}$ )

Temperature Shift Zero  $\pm 0.01\%$  of RO/ $^{\circ}\text{F}$  ( $\pm 0.018$  of RO/ $^{\circ}\text{C}$ )

Temperature Shift Span  $\pm 0.02\%$  of Load/ $^{\circ}\text{F}$  ( $\pm 0.036$  of Load/ $^{\circ}\text{C}$ )

### CALIBRATION

Calibration Test Excitation 5 VDC

Calibration (standard) 5-pt Compression

Shunt Calibration Value 60.4k Ohm

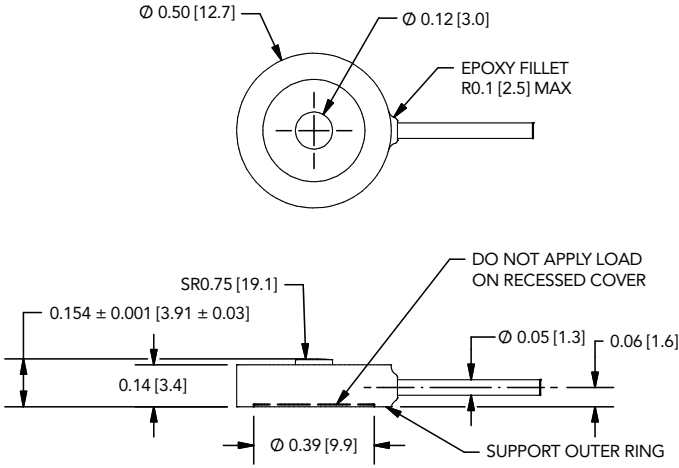
### CONFORMITY

RoHS EU 2015/863

CE EN55011; EN61326-1

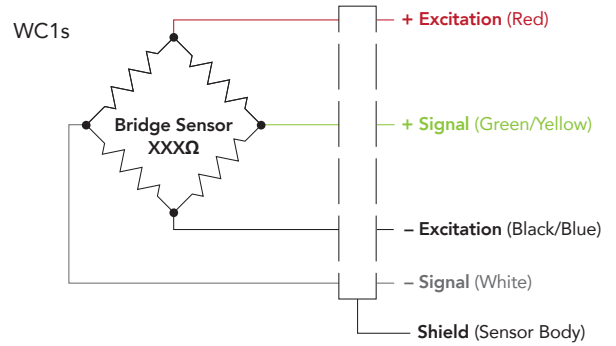
## DIMENSIONS inches [mm]

TOLERANCE:  
 .X ± 0.1" [2.5 mm]  
 .XX ± 0.01" [0.25 mm]  
 .XXX ± 0.005" [0.127 mm]



## WIRING CODE (WC1s)

RED	+ EXCITATION
BLACK	- EXCITATION
GREEN	+ SIGNAL
WHITE	- SIGNAL
SHIELD	SENSOR BODY



## CAPACITIES

ITEM #	lb	N	Natural Frequency (kHz)
FSH04489	100	445	33
FSH03928	250	1112	41.7

Drawing Number: FI1053-N

FUTEK reserves the right to modify its design and specifications without notice. Please visit <http://www.futek.com/salesterms> for complete terms and conditions.

The information provided herein was developed using FEA analysis, empirical data and multiple testing simulations. FUTEK presents the information in good faith and believes it is correct but makes no representations or warranties as to the completeness or accuracy of the information provided. User's application may produce different data and/or results. By using this information, you agree that you have read and understand this disclosure. Please contact us to discuss your particular application and needs.

10 Thomas, Irvine, CA 92618 USA  
 futek@futek.com

[www.futek.com](http://www.futek.com)



R0HS



U.S. Manufacturer