



FEATURES

- USB 2.0 Communication Link
- USB Bus-Powered
- Input/Output Short Circuit Protection
- Streaming ASCII Output
- CE approved
- Supports Voltage Sensors (FSH03631)
- Supports Current Sensors (FSH03634)

IMPORTANT NOTE: ONLY CONNECT DEVICE TO USB 2.0 PORT

SPECIFICATIONS

GENERAL

Sampling Rate	Up to 4800 SPS
Bandwidth (Hz)	Sampling Rate (SPS) / 4
Internal Resolution	24 bits
Resolution (Noise Free)	See Chart
Non Linearity	± 0.005% of FSR
Output	Digital Packetized Data
Integrated Digital Filter	50 Hz/60 Hz Rejection (100 dB)
On Chip Memory	1 Kilobyte
Stored Calibration	Up to 16 Points
Weight	Approx. 10 g
IP Rating	IP50

VOLTAGE TYPE (FSH03631)

Power Output	12 VDC/1W
Voltage Input	± 10 VDC (Factory Default)
Power Supply	USB Bus (5 VDC ± 5%)

CURRENT TYPE (FSH03634)

Power Output	12 VDC/1W
Current Input	0-30 mA
Power Supply	USB Bus (350 mA)

CONNECTORS

Sensor Connector	Hirose LX40-12P
Mating Connector	Hirose LX60-12S
USB 2.0 Connector	Type A Plug

ENVIRONMENT

Operating Temperature	-13°F to 185°F [-25°C to 85°C]
Storage Temperature	-40°F to 257°F [-40°C to 125°C]

CONFORMITY

RoHS	2011/65/EU
CE	EN 61326-1:2006

¹ Speed = Δ α × 60 / PPR

² 1W power output

³ For 0–30 mA use item FSH03634; for 10 VDC use FSH03631



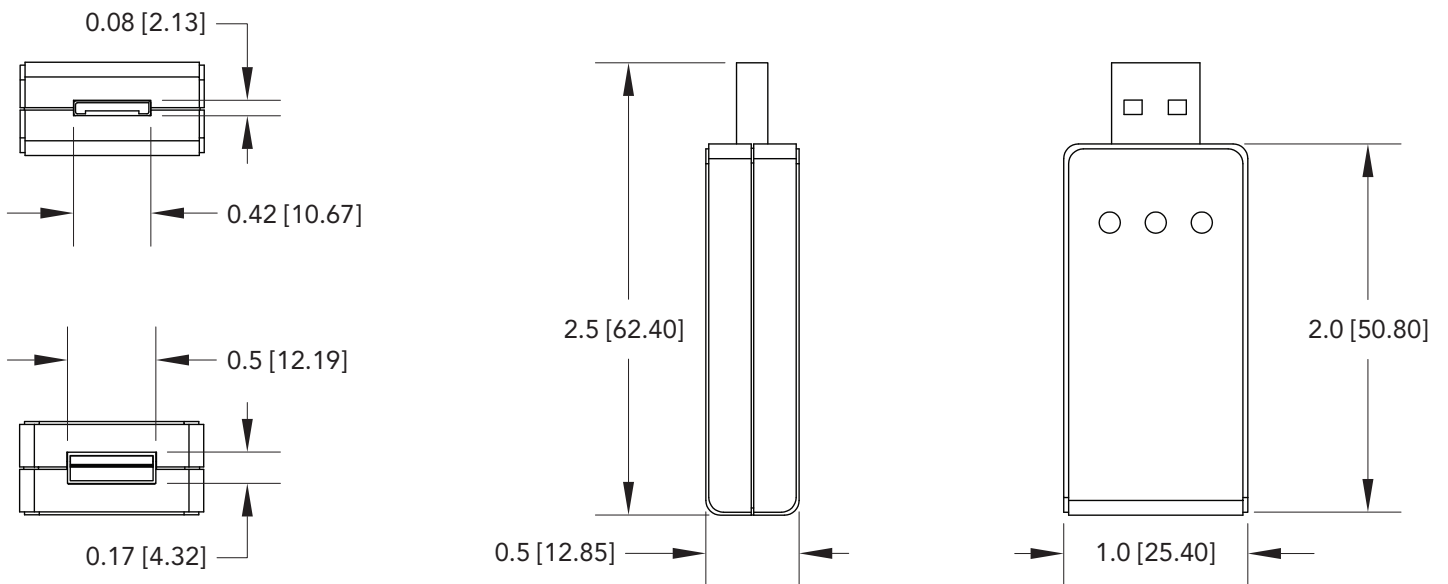
SAMPLING RATE	
SAMPLES PER SECOND (SPS)	RESOLUTION (NOISE FREE BITS)
5	21
100	19
300	18.1
1200	17
2400	16
4800	16

LED INDICATORS	
Blinking blue (10 Hz)	Module Auto-Calibration
Blinking blue (1 Hz)	Module Normal Operation
Green	USB Power
Red	USB Data Link

ACCESSORIES

- SENSIT Software (FSH04877, FSH04878)**
 14 Day Trial - Available to download on FUTEK website. A license is required, per seat, after 14 days to benefit the features such as data logging, graphing, etc. Trial version turns into basic read-out ONLY after 14 days and a product key is required to enable the features.

DIMENSIONS inches [mm]



Drawing Number: FI1380-F

FUTEK reserves the right to modify its design and specifications without notice. Please visit <http://www.futek.com/salesterms> for complete terms and conditions.

The information provided herein was developed using FEA analysis, empirical data and multiple testing simulations. FUTEK presents the information in good faith and believes it is correct but makes no representations or warranties as to the completeness or accuracy of the information provided. User's application may produce different data and/or results. By using this information, you agree that you have read and understand this disclosure. Please contact us to discuss your particular application and needs.

10 Thomas, Irvine, CA 92618 USA
 futek@futek.com

www.futek.com



RoHS



U.S. Manufacturer